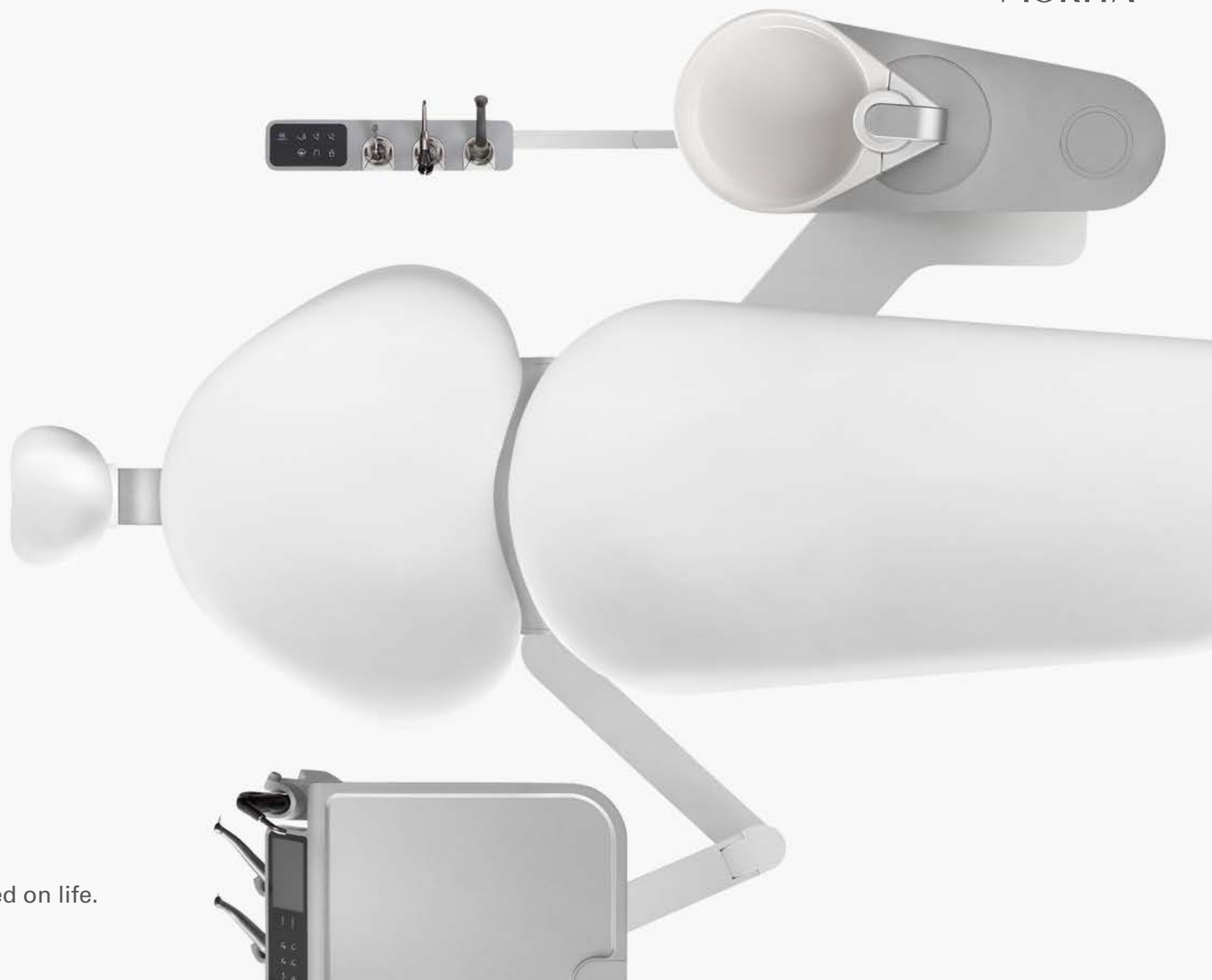


Soaric



Thinking ahead. Focused on life.

Soaric

„The average gives the world its substance, the exceptional its value.“*

We are dedicated to always being at the cutting edge and simultaneously offering products that make everyday work in dentists' practices safer and easier. With an eye on comfortable and efficient treatment procedures, our employees create perfected products to the benefit of the user. This means that we have to know what dentists need, which is exactly why we place such importance on working in close cooperation with you. This provides us with a precise idea of their needs so that we can use this as a basis for the development of target-oriented innovations.

With Soaric, we have taken a step beyond developments as they are known today and offer you unique possibilities that will provide you with valuable support for your everyday dental practice and future challenges.

* Oscar Wilde





Patient Well-Being

An atmosphere of trust.

The modern and timeless design of Soaric, evident right down to the finest detail, underlines your competence and professionalism. At the same time, however, it also creates an atmosphere of trust and safety. This is achieved by the treatment unit's reduced and harmonious expression of form. After all, the more relaxed the patient, the more pleasant the treatment.



Lying Comfort



The interplay of technology, ergonomics and design places your patient at the centre of attention.

Sophisticated kinematics and the highly varied range of adjustment options enable you to adjust the patient's chair to the body size of your patient, irrespective of whether child, adult or person with restricted mobility, and in this way create an environment in which they feel comfortable.

Super-sensitive height adjustment

The patented kinematics of the patient's chair provide gentle, precision height adjustment. Neither starting nor stopping are noticeable. The patient is lying in a comfortable and relaxed position. The hydraulic height adjustment ranges from a sitting/lying height of 380 mm to 800 mm. Depending on requirements you can choose between a high- or a low-speed mode.

Ergonomic headrest

Both the extension and the angle of the ergonomically formed headrest can be adjusted easily at the push of a button. During this procedure, the kinematics track the patient's natural neck movement and ensure that the head is resting in a safe position. The double-jointed headrest is particularly suitable for children or patients with physical abnormalities. It has a particularly large tilt angle and can be adjusted into the perfect position to support the patient's head.

Variable backrest height

The fully extendable backrest guarantees an individual adjustment to all patient body sizes.

Synchronized backrest adjustment

The new Soaric synchronized mechanism with combined movement of backrest and seat guarantees optimum sitting and lying comfort during every phase of patient positioning. This provides anatomical support for the patient's spine and prevents any stretching or compression in the area of the back.





Sitting Comfort



Soaric is equipped with foldaway foot section and armrest to make mounting and dismounting the chair very easy.

Particularly suitable for older patients and those of limited mobility while at the same time allowing intensive patient consultation. This model, with its comfortable Soaric synchro-mechanism, also supports the patient's spine.

Low access

With a seat height of only 380 mm in its lowest position and a foot section which can be folded away by 90°, this treatment unit offers your patients easiest possible access. Nevertheless, operating height adjustment is still possible up to 800 mm, ensuring that you have optimum ergonomic working conditions.



Comfortable access

The swivelling armrest makes side mounting and dismounting easier, particularly for patients with limited mobility.

Optimum support

As soon as you set the patient's chair into its lying position, the footrest slides out automatically and guarantees your patient a secure and comfortable resting position.



Treatment Comfort

Flexible and intuitive operation guarantees optimum treatment process.

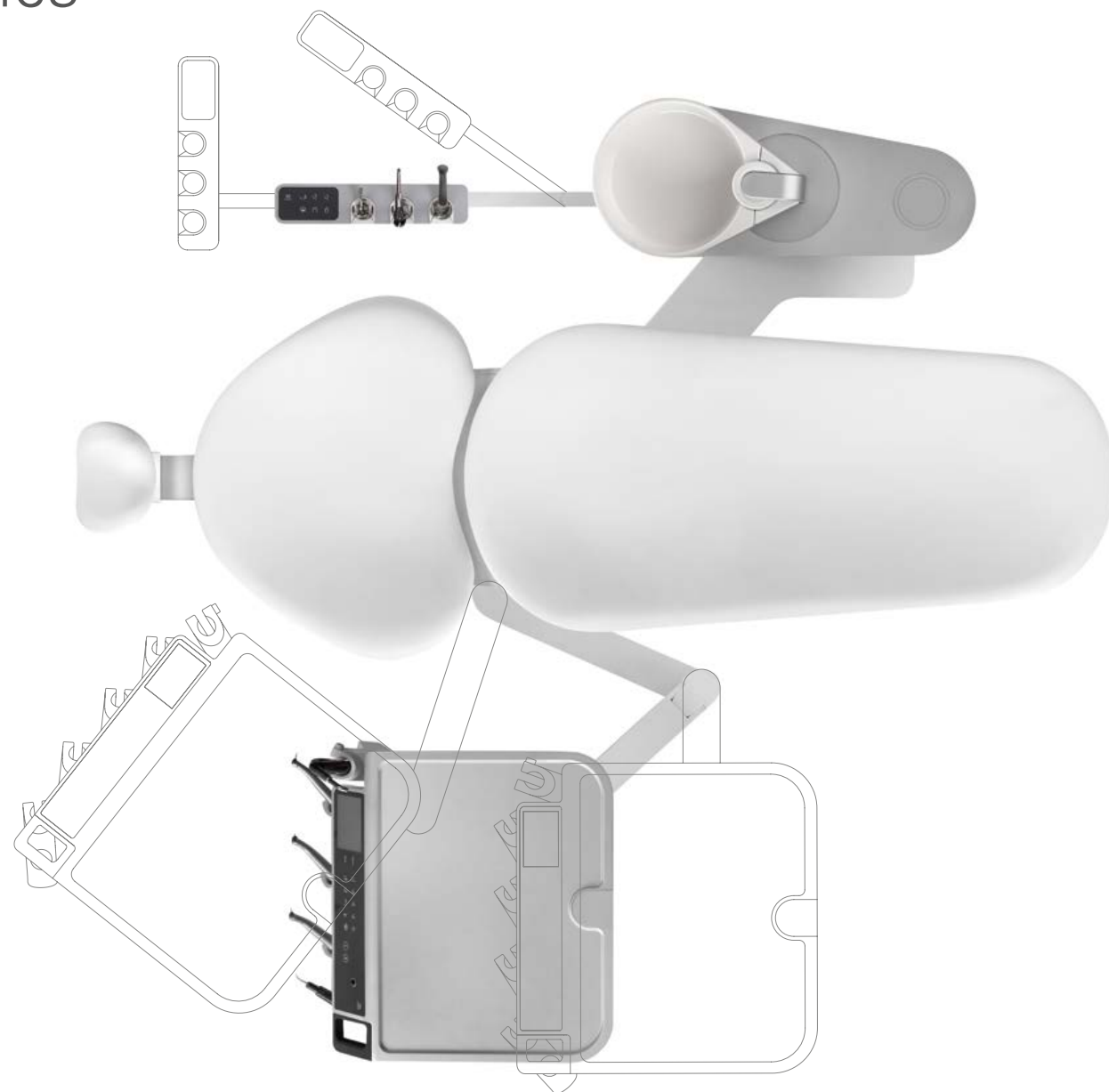
Soaric offers a wide range of optional system components for all forms of treatment: Patient's chair with or without foldaway foot section, floor mount delivery or over-the-patient delivery and lots of other options – the choice is huge.

Using the LC touch display on the operator's element, the instruments and foot control can be adapted individually to suit your own regular treatment procedures. Using the operator panel, practitioners can save and access all settings, including hygiene and cleaning processes, as required. The ergonomic instrument arrangement and the newly developed interface support the treatment process.

In addition, Soaric offers innovative instruments for endodontic and surgical applications; microscope integration to a networked monitor is also possible.



System Ergonomics



Minimum footprint with maximum movement area.

The flexibility of the operator's and assistant's element makes Soaric ideal for treatment by individuals and particularly suitable for working in a team.

Instruments are ideally located within easy reach and can be passed easily between practitioners according to situation during 4- or 6-hand treatment.



Maximum legroom

The slim design of the backrest provides you and your assistant with optimum legroom and access to the patient. This ensures relaxed, safe and precise treatment in all treatment positions.



Innovative instrument holders

The instrument holders with horizontal adjustment ensure that you can intuitively remove and replace the instruments safely. The patented hose strain relief minimizes strain on hand and finger muscles and helps ensure precise and non-tiring treatment.



Optimum access

The Soaric cone-shaped backrest alleviates access to the patient with sufficient free space for the dentist and assistant.



Precise focussing

The slow-speed mode of the patient's chair allows millimeter-precise focussing of the treatment area. This is particularly important if you are working with a microscope.

Instrument Holders

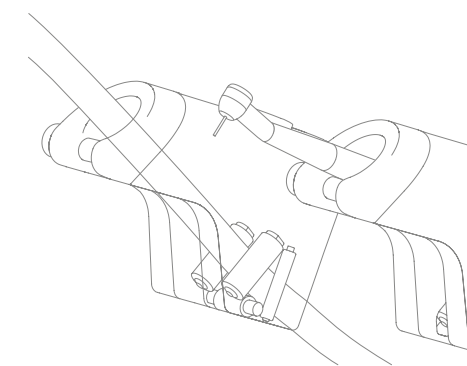


The patented instrument holders for maximum ergonomics and flexibility.

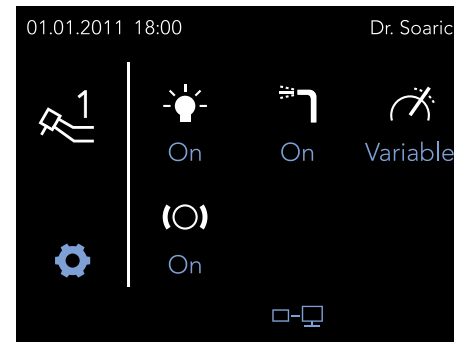
The instrument holders allow absolute freedom of movement: The individual holders can be adjusted by 25 degrees in a horizontal direction for optimum positioning according to your requirements. Seven instruments including intraoral camera can be installed on the operator's element according to choice. The operator's element can be adjusted according to your height; the height adjustment range is 720 to 900 mm for the floor mount delivery and 800 to 1180 mm for the over-the-patient delivery.

Innovative strain relief

The integrated, hose strain relief reduces the weight of the hose in your hand. It minimizes the strain on your hand and finger muscles and helps ensure precise, non-tiring treatment. The specially designed instrument holders help to ensure safe replacement and storage.

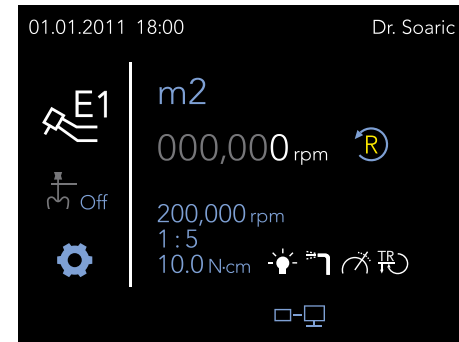


Navigation



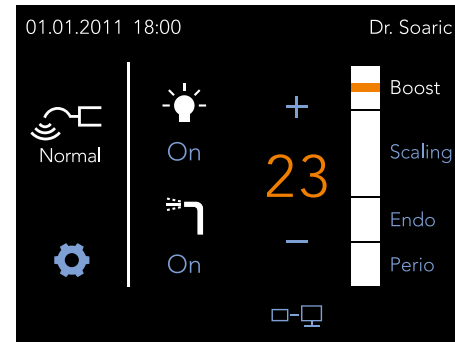
Treatment personnel dialog when removing the turbine

After removing the turbine, you have the possibility of selecting spray, light and hose strain relief separately and setting a variable or constant speed.



Treatment personnel dialog when removing the micromotor

You decide on the settings, light, spray, speed, rotational direction and reduction and multiplication. As an option, Torx SII-R functions as endodontic motor with integrated apex locator.



Treatment personnel dialog when removing the scaler

Light, performance and spray can be selected separately in scaling mode.

Easy to use and operate. Soaric makes it really easy for you to use the operator panel:

With the non-reflecting LC touch display, you can call up all functions on the treatment unit at the push of a button, carry out your own individual settings and store them to memory. This applies for the settings of the patient's chair, the instruments, foot control programming and automated cleaning and maintenance processes.

19" LCD monitor

The monitor can be mounted on the operator's element or on the light pole as required.

Navigation

The LC touch screen display can be transmitted to the monitor in full-screen mode or with fourfold enlargement.

Data network

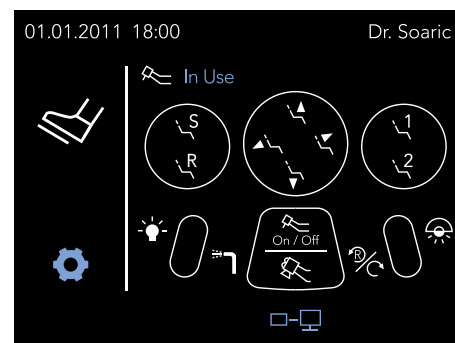
The treatment unit can be integrated into your practice's network via the Ethernet connection. There is also a USB port on the operator's element.

PC mode and trackpoint

If the treatment unit has been integrated into your network, you can display the data from your practice's PCs on the Soaric monitor in so-called „PC mode“. The data can be processed using the trackpoint on the operator panel, the foot control or a connected mouse.



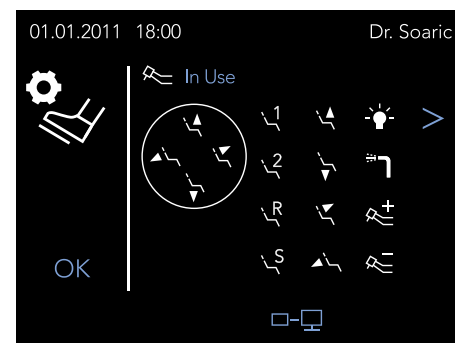
Foot Control



Sample foot control configuration

All-rounder with control comfort

Irrespective of what configuration you are used to for your foot control, the Soaric's cabled foot control with safe transmission enables you to take over your habits and settings and configure the foot control buttons to suit your own individual needs.



Configuration options using centre button as example

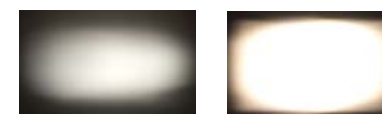
Using the LC touch display you can program the foot control and store your own settings. In this way, you can operate the patient's chair, instruments and OP light to suit your specific treatment methods.

If the treatment unit is integrated into a network, you can also navigate your PC in i-Dixel PC mode using the foot control.

OP Light

Optimum lighting for precise treatment

The OP light LunaVue LD excels with its large field of light and an even, shadow-free illumination of the working area. The high light intensity of 30,000 Lux at a color temperature of 4,200 Kelvin generates a natural light.



Standard Halogen

LunaVue LD

Non-contact control

Motion detectors on the underside of the OP light enable you to switch the light on and off without contact – as an option also possible optionally this can be done using the foot control or the operator panel.

Hygiene

Both handles are easy to detach and sterilize.

LED

In comparison to standard halogen lighting, the service life of the LEDs reduces the operating costs of the LunaVue LD by two thirds.



Integrated Microscope



Soaric with integrated microscope and a large number of innovative instruments for highly demanding odontology offers you the possibility of adapting the unit to suit your requirements.

Soaric provides vital support throughout all treatment phases of periodontology, endodontics and implantology in particular and helps produce extraordinary treatment success.

Innovative technology
Smallest instrument heads, ergonomically formed, perfect balance and low weight are characteristic features of the instruments of the Ultramini TwinPower turbines and TorqTech series handpieces and contra angles. This makes them particularly suitable for use with a microscope.



Optimized area of vision
The very small instrument heads allow the best possible visibility of the treatment area and instrument. The mini-head does not hide the mirror, allows better position and greater flexibility outside the spray area as well. This provides you with greater scope for treatment and enables you to achieve even better results.



Intuitive instrument handling
The adjustable instrument holders and their intuitive replacement aid provide maximum support when using a microscope. You can concentrate completely on the microscope and are not distracted by removal and replacement of instruments.

System-integrated microscope
With Soaric, you can integrate microscopes from the companies Carl Zeiss, Leica or Kaps for demanding treatment calling for maximum precision. If Soaric is integrated into your practice network, you can transmit microscope exposures onto the treatment monitor.

Slow-speed mode for fine adjustment
Refocusing the microscope calls for a slow-speed mode for the patient's chair. With the Soaric slow-speed mode, you can adjust the patient's chair gently to the ideal height in the event of a changed working position.

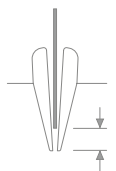
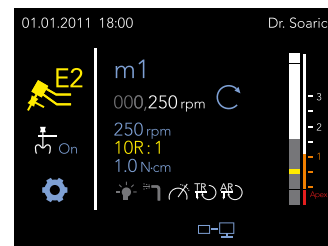


Endodontics



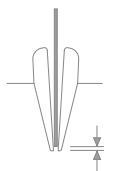
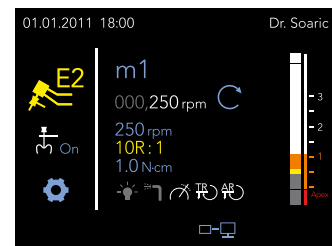
Endodontics – Morita's strength. Soaric is fitted with special components for a comfortable treatment process.

The integrated apex locator transmits the measurement function onto the display. The navigation interface helps to ensure treatment without distraction but with all endodontics parameters constantly in view. Moreover, it will be easier to reach tight and strongly curved root canals with an additional suction tube. Add to that the possibility of integrating a microscope and you can approach complex as well as demanding treatments with confidence.



Integrated safety

The Torx SII-R micro motor with the special angle piece TorqTech ENDO is particularly suitable for root canal treatment. During treatment of the root canal, you can track the exact position of the file tip in the canal on the display or the monitor. The nickel-titanium files conduct the electrical signal without separate file electrode; this makes changing files quicker and easier. The mucosal electrode with its backrest adaptation eliminates the necessity for "annoying cables." Located in the backrest of Soaric, the mucosal electrode is near the patient's mouth.



Auto torque reverse

If the pre-set torque is exceeded, the file switches automatically to the reverse direction. This function prevents any blocking in the root canal.

Auto apical reverse

The file goes into reverse automatically as soon as a pre-set position to the apex has been reached.

Auto apical stop

The motor stops automatically upon reaching a pre-set reference point.

Comfortable endodontics

The additional suction tube available for Soaric makes it easier to reach tight root canals that usually are difficult to access. The magnetic handpiece holder included in the set can be attached to the water element or the arm of the assistant element. The suction piece is identical to the standard saliva ejector handpiece and has a quick-stop function that can be fitted with a Luer lock tube.

Surgical suction tubes

Most dental professionals usually use the suction system that is integrated in their treatment unit for occasional, minor surgical procedures. The specially designed suction tubes of the Soaric treatment unit have a slender form that is ideally suited for suction tasks during surgery and they can be sterilized.

Precise air and water control

For some of the steps involved in an endodontic treatment, specific surfaces or working areas have to be dried effectively. Customary air/water syringes cannot fulfill this purpose adequately due to their design. The autoclavable Stropko Irrigator adapter provides a gentle and effective water and/or air stream.

Navigation

The monitor is not only able to show a full-screen display of the LC touch screen or the data from your practice's PC, it can also display both at the same time. The LC touch screen display can be shown in fourfold enlargement in various positions on the monitor. As a result, the values from the root canal measurement can be read off easily with precision.



Implantology



Safe dental prostheses using guided implantology, thanks to Soaric's "implant mode."

Soaric's integrated implantology motor supports a wide range of indications, from implantology to oral surgery and endodontics. As soon as you switch it on, Soaric runs through the entire treatment sequence, step by step, using its intuitive navigation interface. The individual stages are displayed clearly on-screen.

The star feature: you can save the treatment sequences for as many as seven dental prostheses manufacturers using the control panel.

Powerful implantology motor



The MX-i, the most powerful implantology motor made by Bien-Air, has an impressively low weight (119 g) and an equally impressive range of speeds – 100 to 40,000 rpm, making it the ideal flexible tool for a many different indications. Throughout the entire treatment process it is highly convenient to use and offers maximum safety at all speed ranges. Its LED lighting, adjustable up to 38,000 lux, ensures a clear view of the treatment field. It scores in terms of hygiene too: its hermetically sealed surface makes it very easy to sterilize for the next task.

Peristaltic pump



With a feed rate of 30-150 ml/min, the peristaltic pump guarantees the ideal saline supply during treatment. The insertion mechanism satisfies the requirements of hygiene directives while making the process of treatment preparation so much easier.

Instruments

TwinPower turbine



Precision and ergonomics

The TwinPower turbines, which have received numerous awards, have four outstanding qualities: a maximum power of 25 watts, maximum torque using patented double rotor technology, a small turbine head to ensure maximum visibility and a zero retraction effect to ensure hygienic treatment. Best of all: TwinPower also offers certainty for your hygiene plan. Sterilization can be performed flexibly, economically and safely.

Ultra TwinPower turbine



Launch at maximum power

Small, ergonomic and high-torque – these are the features that distinguish the two ultra-mini turbines, Ultra M and Ultra E. Their small dimensions combined with their high performance make preparation in the molar area easier, with or without a mirror. The Ultra E turbine has 20 watts of power with a head diameter of 9 mm and a head length of 12.7 mm. The Ultra M turbine, with 18 watts of power, has the smallest head in the TwinPower family: a diameter of 9 mm and only 10.6 mm long.

Torx SII-R brushless micro motor



Light and compact

Only 62 mm long and weighing 68 g, the brushless Torx SII-R micro motor sits ergonomically in the hand. It is a masterpiece of fine engineering precision when it comes to technology, performance and long service life. Its motor runs smoothly throughout its complete speed range of 100 to 40,000 rpm.

TorqTech handpieces and contra angles

Perfectly balanced

TorqTech handpieces and contra angles are ergonomically designed, with compact dimensions and mini instrument heads. In combination with the Torx SII-R micro motor, you can experience the perfectly balanced relationship between micro motor weight and contra angle size. A well-balanced instrument design that makes it easy to reach all treatment areas.

Assistant's Element

Space-saving, multi-positioning.
The telescope extension with height-adjustable swivel arm can always be moved into the ideal position, for solo or team treatment.

The sleek design even allows positioning between assistant and patient. The patient's chair, OP light, suction, cuspidor rinsing and tumbler filling functions are all controlled from the operator panel.

The saliva and spray mist ejector have an additional slide control so that the instruments can be controlled simply and easily by you.



Cuspidor

Cuspidor, motorized swivel motion

The ceramic cuspidor offers even more comfort for the patient and simplifies the treatment process. If the patient's chair is moved into the mouth-rinsing position, the cuspidor swings automatically 70° towards the patient.

Rinsing tumbler, automatic filling

Tumblers are detected and refilled with water automatically by photosensors.



Hygiene



The ceramic cuspidor and the tumbler tray can be removed very easily for cleaning.



For cleaning in the autoclave, the handles of the OP light and the operator's element can be removed quickly without requiring any tools.



The hose retractor and the instrument holders on the assistant's element can easily be removed individually for daily disinfection and autoclaving.



The instrument tubulars on the operator's element can also be removed easily for daily disinfection and sterilization.

Consistent practice hygiene: The best guarantee for safety for your patients and your team.

With its materials and surface properties, Soaric provides the appropriate basis for efficient and safe hygiene in order to meet the increasing demands of the European hygiene regulations. All areas of relevance for hygiene are easily accessible so that the hygiene process can be completed quickly after the treatment of each patient.

The integrated suck back stop and the use of the multi-functional foot control for frequently used functions avoid cross-contamination.

In addition, integrated hygiene programs protect the inner workings of the unit, save a great deal of time and are easy to use.



Hygiene



Automatic disinfection
The suction hoses can be disinfected automatically using the water unit. To do so, fill the provided containers with disinfectant and connect the instrument hoses to their respective sockets.



Integrated hose flushing system
To flush water hoses, simply attach the instrument hoses to their respective connection points.



Comfortable accessibility
The cut filter and the amalgam trap are easily accessible and can be easily emptied.



Permanent water sterilization
The water is sterilized automatically in all pipelines and hoses.

Automatic cleaning and disinfection processes simplify daily hygiene practice.

Easy accessibility and intuitive operation help ensure an effective workflow.



Operating Stool



The Soaric operating stool supports you perfectly in all working positions: The flexible seat inclination which adjusts automatically to your individual posture and the concave surface of the seat with thermo upholstery ensure ergonomically even pressure on the thighs.

The armrest which can be swivelled from left to right on the backrest creates the maximum possible flexibility for your personal area of movement. Using the foot-ring, the seat can be adjusted to any height between 460 mm and 650 mm.

System Components



Operator's element as floor mount delivery



Operator's element as over-the-patient delivery



Operator's element with comfort tray as over-the-patient delivery



Additional tray



Microscope

Soaric offers you a wide variety of equipment options. You can configure your treatment unit according to your requirements. Alongside, you can see a few examples of system components.

For further equipment possibilities such as monitors or armrests, please pay us a visit at www.soaric.com where you can put together your own personal Soaric.

Specifications

Name: Soaric
 Model: DU-1
 Input voltage: 220/230/240 V AC
 Frequency: 50/60 Hz
 Power consumption: 1,0 kVA
 Seat height: 380 mm to 800 mm
 Backrest angle: 0° to 80°
 Weight: ca. 280 kg to 300 kg

Features

- Patient's chair with or without foldaway foot section and footrest
- Oil hydraulics
- Standard headrest or double-jointed headrest
- Armrest dentist's side (only for version with foldaway foot section)
- Armrest assistant's side
- Backrest, extendable as option
- Foot control
- Operating stool
- LED operation light
- Operator's element in floor mount or over-the-patient delivery
- USB connection on operator's element
- Silicon tray mat
- 19" monitor on light pole or on operator's element
- Monitor on light pole and/or on operator's element
- Microscope adapter for Carl Zeiss, Leica or Kaps

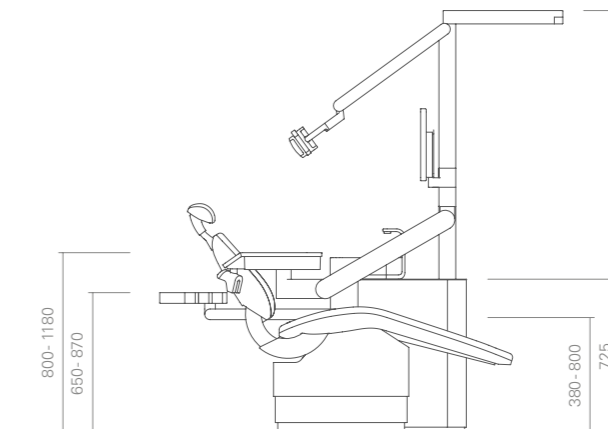
- Additional tray for floor mount delivery
- Comfort tray with one or two levels for over-the-patient delivery
- Ceramic cuspidor
- Quick connectors with fresh water, compressed air and water return for auxiliary devices or hydrocolloid
- Hot-water boiler
- Amalgam separator
- Integrated disinfection system, optional permanent or intensive sterilization
- Integrated rinsing system after RKI for water-conducting hoses
- Integrated disinfection system for suction hoses
- Polystyrene microfilter system for fresh water and compressed air system

Instruments on operator's element

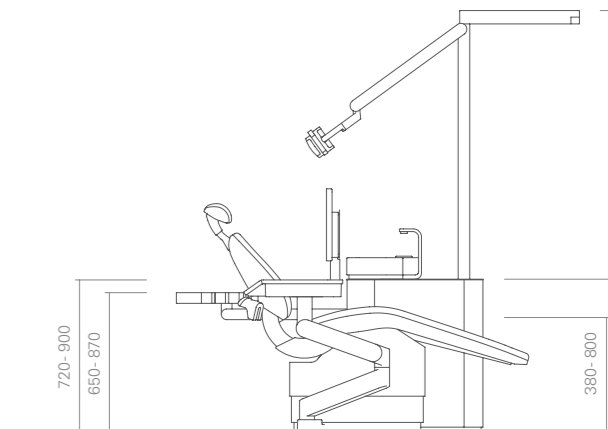
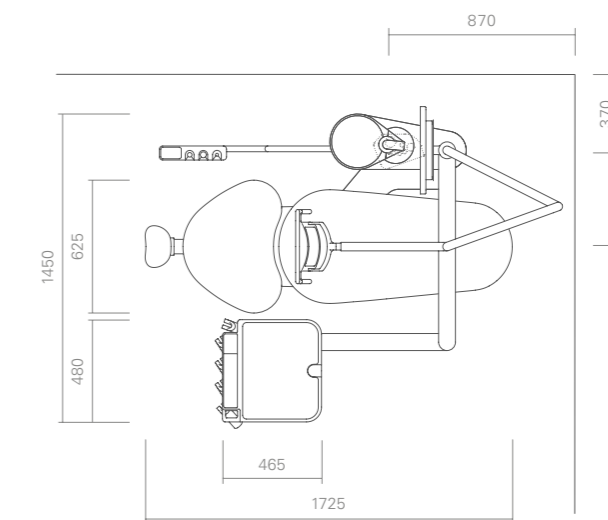
- Instrument holders for up to 7 instruments
- Up to 2 pneumatically driven instruments with halogen or LED light
- Up to 2 micro motor connections with Torx SII-R with LED light
- Integrated surgical motor with IMP tray
- Multi-functional syringe, as option with LED light
- Additional syringe for Stropko Irrigator
- Ultrasound scaler with LED light (choice of 3 models)

Instruments on assistant's element

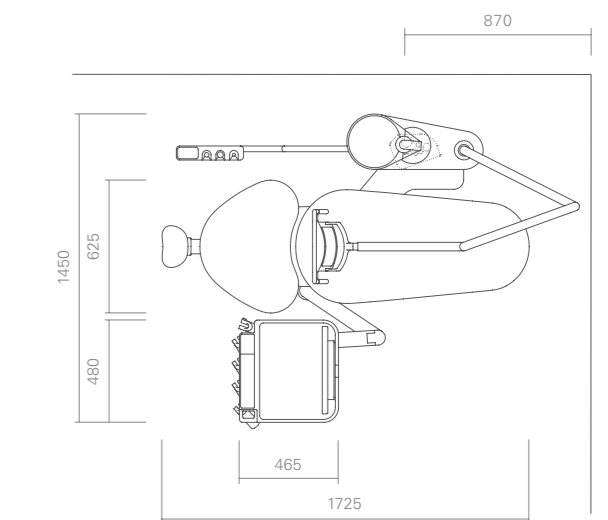
- Instrument holders for up to 3 instruments
- Multi-functional syringe, as option with LED light
- Suction tube (spray mist ejector)
- Saliva ejector
- Additional suction with Luer Lock handpiece or for laughing gas sedation



Over-the-patient delivery



Floor mount delivery



Soaric received the following awards in 2012:
 Good Design Gold Award and
 iF product design award in gold for product design
 iF communication design award for the design of the interface
 iF communication design award for the design of the catalogues and the
 Soaric advertising campaigns
 Product design: f/p design
 Interface design: f/p design
 Catalog design: f/p design
 Product photographs: Lippmann Photodesign



Distributed by
J. Morita Europe GmbH
 Justus-von-Liebig-Straße 27b
 63128 Dietzenbach
 Germany
 T +49. 6074. 836 0, F +49. 6074. 836 299
 www.morita.com/europe

Developed and manufactured by
J. MORITA MFG. CORP.
 680 Higashihama Minami-cho, Fushimi-ku
 Kyoto 612-8533
 Japan
 T +81. 75. 611 2141, F +81. 75. 622 4595
 www.morita.com

Subject to technical changes and errors
 JME PUB 2031 0421

- Diagnostic and Imaging Equipment ■
- Treatment Units ■
- Handpieces and Instruments ■
- Endodontic Systems ■
- Laser Equipment ■
- Laboratory Devices ■

Colors



Choose your upholstery from a range of ten different colors.