



Air Torx Low Speed Air Motor & TorqTech Attachments



J.MORITA MFG.CORP.

Thinking ahead. Focused on life.


MORITA



Features at a Glance

Air Torx Low Speed Air Motor

- Powerful torque even at a low speed
- Long working life
- Perfectly balanced, lightweight design
- Forward/reverse drive with continuous speed control
- Safe and easy double-lock connection
- Autoclavable for complete infection control
- Compatible with TorqTech and standard ISO-type attachments



Air Torx

TorqTech Attachments

- Compatible with air and electric motors
- Slim and ergonomic design
- Lightweight, reduces fatigue
- Durable chuck
- Smooth surface finish
- Efficient spray filter
- Maximum illumination



Straight



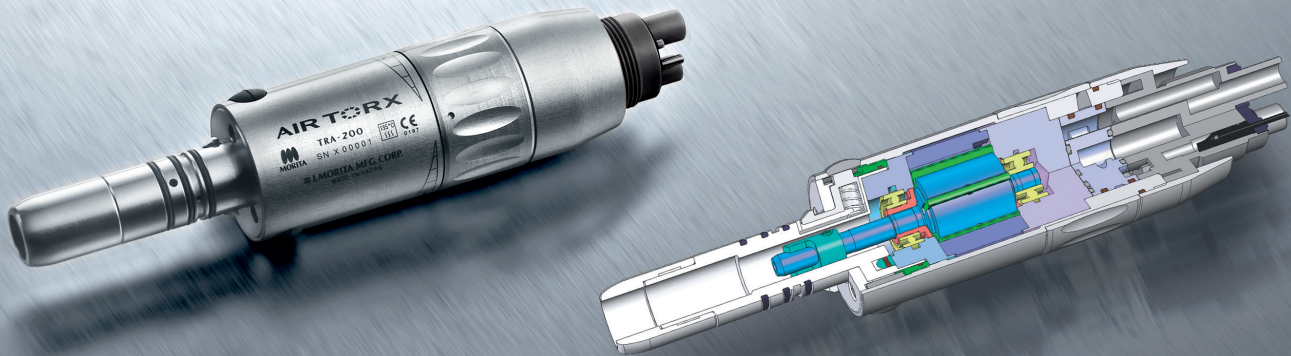
Contra Angle



1:5 Speed Up
Contra Angle

Air Torx Low Speed Air Motor

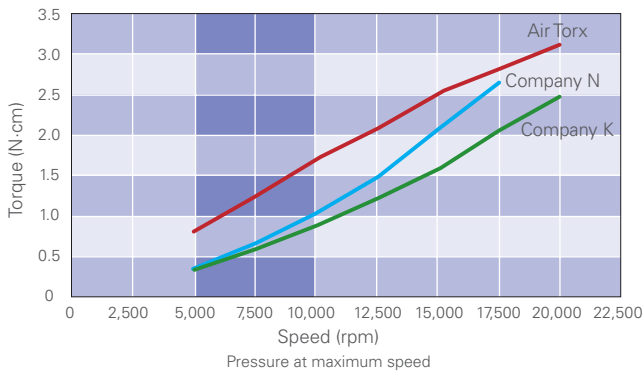
Powerful Torque Even at a Low Speed



Versatile and Powerful

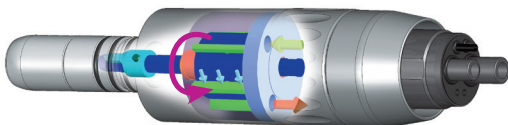
Air Torx is versatile. It can be used for a wide range of tasks such as grinding of dentures, adjusting, finishing, and polishing restorations, and for tooth polishing with a prophyl angle.

Air Torx offers efficient, powerful, and constant torque with operational speeds up to 20,000 rpm. It generates about twice as much torque as conventional low speed air motors in the 5,000–10,000 rpm range, as illustrated in the chart below.



Fluid Dynamics

Air Torx offers quiet and smooth operation and generates highly efficient torque through innovative fluid dynamics.



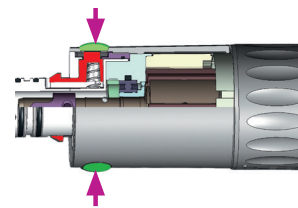
Compatible with Standard ISO-Type Attachments

The Air Torx joint is compatible with TorqTech and any ISO 3964 straight attachment or geared angle attachment (without light only). The connection type to the tubing is standard 4-hole ISO 9168 Type 3* with an integrated water line.



Forward/Reverse Drive

Offers smooth power control and allows for continuous adjustment.



Double-Lock Connection

Double-lock connection mechanism is safer and easier to use than competitors' models.

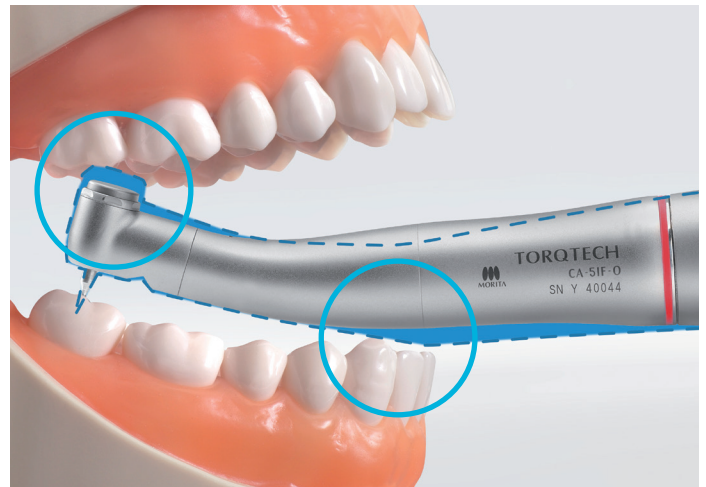
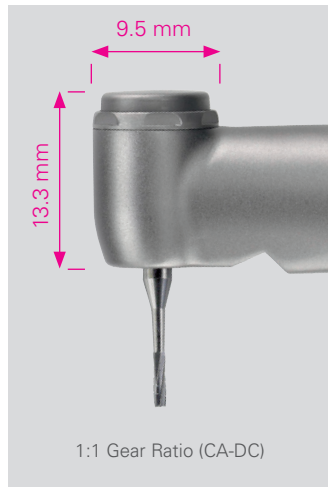
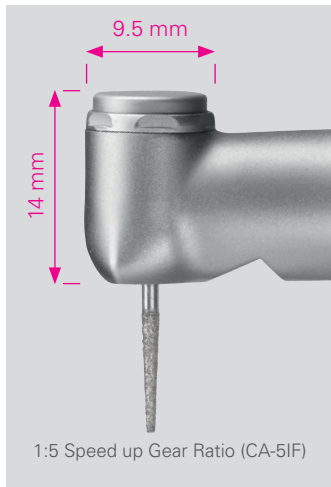
Durable

Air Torx offers enhanced durability for a long working life. It is also autoclavable for complete infection control.

* Formerly Type C. ISO 9168 - Hose connectors for air driven dental handpieces was revised July 1, 2009. The type designation of handpiece joints was changed from letters to numbers.

TorqTech Attachments

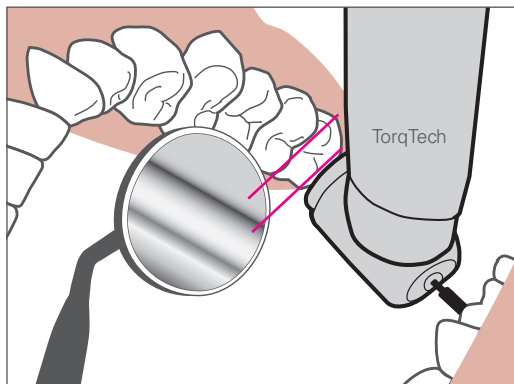
Refined Technology for All Treatment Areas



TorqTech attachments are compact and perfectly balanced with a smooth surface finish. Ergonomically designed, they offer easy access to the treatment area and are more comfortable for both the dentist and patient. TorqTech attachments are compatible with both air and electric motors.

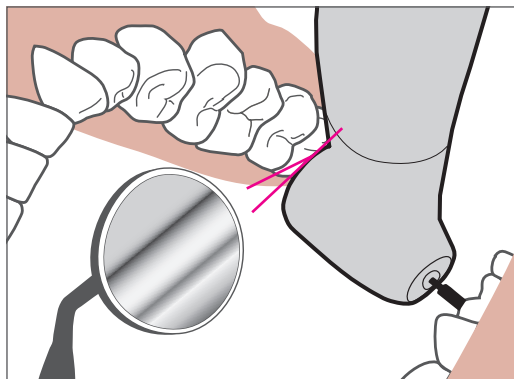
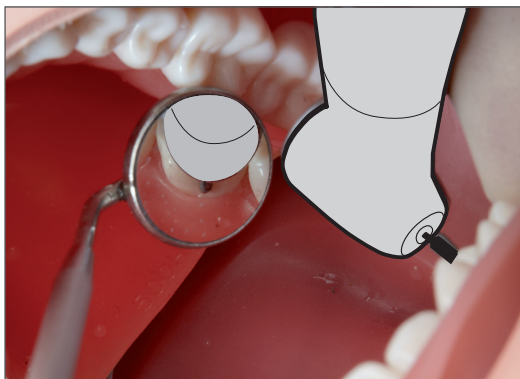
Handling comparison of TorqTech and a conventional contra angle. Dotted lines and shaded areas show difference in shape.

Handling Comparison of TorqTech and Standard Sized Head



TorqTech

The smaller head is more comfortable for patients and offers better access in the posterior region. It is especially helpful when the patient has limited opening.



Standard Sized Head

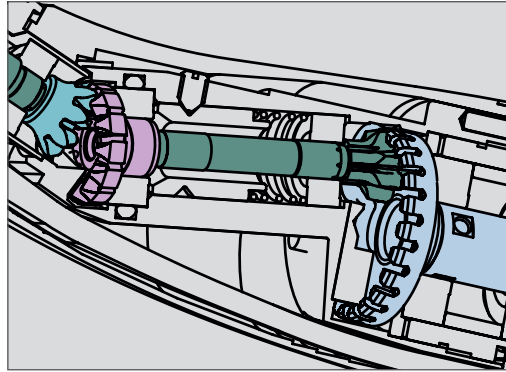
A standard sized head is generally taller and strikes opposing teeth in the treatment area. The sensation of this can be stressful and uncomfortable for patients.

TorqTech's Advanced Design Features

Morita's ideal handpiece is light, compact, and well-balanced. TorqTech is the latest expression of these ideals.

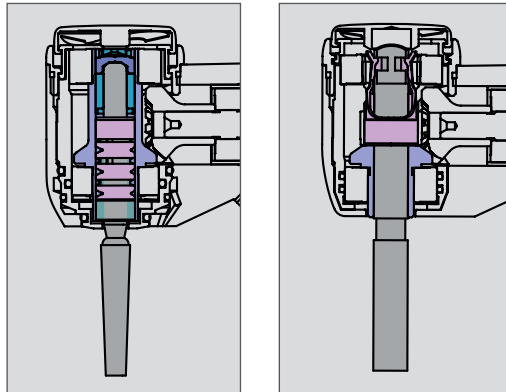
Durable and Efficient

TorqTech attachments use a new, high-precision gear system which reduces rotation noise and bur wobble. These new features make preparation of large cavities quicker and easier to accomplish.



Sturdy Chuck and Smooth Surface Finish

The chuck has a strong grip on the bur and is long lasting. The surface of the attachment is durable, corrosion-resistant and more resistant to wear and tear. The surface of the attachment stays clean longer and has a smooth, comfortable feel.



Spray Filter

The contra angle attachment is suitable for an LED light source and has a water filter to prevent clogging of the spray lines. This filter is easily removed for cleaning.

Glass Rod Light Guide

The glass rod light guide minimizes loss of light intensity and is autoclavable.



Maintenance


Morita's Multi Spray may be used for cleaning and lubrication of TorqTech attachments and AirTorx air motor. Regular maintenance optimizes performance and helps ensure a long service life.



Multi Spray

Specifications

Air Torx Low Speed Air Motor

	
Product Name	Air Torx
Model	TRA-200
Rotation Speed	0 – 20,000 rpm
Length (motor section)	63 mm
Diameter	21 mm
Weight	Approx. 68 g (2.40 oz.)

TorqTech Geared Straight and Contra Angle Attachments

				
	1:5 speed up contra angle	Contra angle with light	Contra angle without light	Straight
Product Name	TorqTech			
Model	CA-5IFO	CA-DC-O	CA-DC	ST-DH
Gear Ratio	1:5 Speed Up	1:1	1:1	1:1
Maximum Motor Speed	40,000 rpm			
Total Length	94 mm	94 mm	94 mm	84 mm
Head Height	14.0 mm	13.3 mm	13.3 mm	-
Head Diameter	9.5 mm	9.5 mm	9.5 mm	-
Weight	68 g (2.40 oz.)	67 g (2.36 oz.)	67 g (2.36 oz.)	72 g (2.53 oz.)
Glass Rod Light Guide	Yes	Yes	-	-
Ion Plating Treatment	Yes	Yes	Yes	Yes
Spray Holes	3	1	1	1
Spray Filter	Yes	Yes	-	-
Chuck	Push Button	Push Button	Push Button	Mechanical Lock
Acceptable Burs (ISO 1791)	Shaft Type 3 (FG)	Shaft Type 1 (CA)	Shaft Type 1 (CA)	Shaft Type 2 (HP)
Connections	ISO 11498 and ISO 3964 connections			

Specifications subject to change without notice.

Ordering Information

Air Torx Low Speed Air Motor (TRA-200)	16-5350611
TorqTech 1:5 Speed Up Contra Angle (CA-5IFO)	16-5352975
TorqTech 1:1 Contra Angle (CA-DC-O) (with light)	16-5352959
TorqTech 1:1 Contra Angle (CA-DC) (without light)	16-5352967
TorqTech 1:1 Straight (ST-DH)	16-5352940
Multi Spray (420 ml)	24-5010201

Air Torx Unit Includes:

Air Motor and Spray Nozzle

TorqTech Units Include:

Contra Angle or Straight Attachment, Spray Nozzle and Spray Hole Wire. TorqTech 1:5 (CA-5IFO) also includes Chuck Grip Tester.

Note: Please read the Instructions for Use and all safety precautions included in packaging before using instruments.

Thinking ahead. Focused on life.

In 1916, Junichi Morita started to import products of the leading dental equipment manufacturers into Japan, where demands for modern dentistry were growing. His venturesome attempts of supplying selected products for oral healthcare has grown steadily by receiving valuable support and guidance from the dental profession. His enterprising spirit lives through the decades, and all Morita Group Companies join in continuing to pursue marketing, distribution and services, as well as R&D and manufacturing, in collaboration with world leaders in healthcare products and research organizations.

Diagnostic/Imaging Equipment

Treatment Units

Instruments

Laser Equipment

Laboratory Devices

Educational and Training Systems

Auxiliaries

Distributed by

J. MORITA USA, INC.

9 Mason, Irvine, CA 92618 U.S.A.
Toll Free: (800) 831-3222, Fax: (949) 465-1095, www.morita.com/usa

J. MORITA EUROPE GMBH

Justus-von-Liebig-Strasse 27A, D-63128 Dietzenbach, Germany
Tel: +49-6074-836-0, Fax: +49-6074-836-299, www.morita.com/europe

J. MORITA CORP. AUSTRALIA & NEW ZEALAND

247 Coward Street, Suite 2.05, Mascot NSW 2020, Australia
Tel: +61 2 9667 3555, Fax: +61 2 9667 3577, www.morita.com/anz

J. MORITA CORP. MIDDLE EAST

Saraya Al Wessam Bldg., Tower A, Appt. 902
Cross roads Tag Roasaa & Abu Heif, Saba Pacha, Alexandria, Egypt
Tel: 203 58 222 94, Fax: 203 58 222 96, www.morita.com/middleeast

J. MORITA CORP.

33-18, 3-Chome, Tarumi-cho Suita City, Osaka, 564-8650 Japan
Tel: +81-6-6380-2525, Fax: +81-6-6380-0585
www.morita.com/asia

J. MORITA MFG. CORP.

680 Higashihama Minami-cho, Fushimi-ku, Kyoto, 612-8533 Japan
Tel: +81-75-611-2141, Fax: +81-75-622-4595, www.morita.com/global