



# Signo T100



Thinking ahead. Focused on life.

# Excellent Design

## signo T 100

### Technology meets Aesthetics

The new Signo T100 is based on a clear architectural structure evolving from the Signo T500 premium model with an individual pantograph lifting mechanism seat design. The new Signo T100 represents an uncompromised result of the Morita DNA.

- Timeless design.
- Sophisticated manufacturing quality.
- Solidity, reliability and longevity.

The new Signo T100 encompasses ideally the general design philosophy of Studio F. A. Porsche with the professional standards of Morita. It offers simple functionality and ease of maintenance, and its pure white body color blends in with the space and brings a sense of calmness.



NEW



# Simplicity and Performance



## Pantograph Lift Mechanism

The cantilevered chair is coupled with a pantograph lift mechanism, the most widely used height adjustment mechanism in the world. Patients can stretch out their legs during treatment, which means they are less stressed and can cope with longer treatments.



## Minimum 400 mm Height for Enhanced Safety

The chair can be lowered to just 400 mm, making it easy for older people and children alike to get on and off safely and with ease.



## Luna Vue TS for Optimal Visibility

The long-lasting energy-efficient single LED of the Luna Vue TS provides 30,000-lux of brightness and four levels of adjustment to ensure optimal visibility for the operator. The optional Touchless Sensor enables the light to be turned on or off without making direct contact for enhanced hygiene.



## Easy-to-Clean Holders

The fixed insert holders feature a simple design and are easy to clean.



## Swing Model

The Swing Model is equipped with a Dual-Balanced Arm System, designed to reduce the weight of the instrument, minimizing the physical strain during dental procedures. Additionally, its design promotes hygiene by allowing the tubing to remain elevated above the floor, preventing contamination.



## Easy-to-Use Foot Controller

The low angle of the foot switch minimizes strain on the ankle from extended periods of operation and the chair's manual lever has an intuitive design for enhanced ease of operation. An optional movable pedal guard is also available.



## Headrest : Simple Design for Ease of Operability

The simple design of the headrest makes it easy to adjust and it is shaped in such a way as to prevent unwanted movement of the patient's head during treatment. A twin-axis headrest is available as an option.



## Table Moves Effortlessly

The table with its integrated holders moves smoothly around a central axis.



## Basin Cleaning Function

The water supply for the cup also cleans the basin automatically. It can also be cleaned manually and set to clean continuously.

# Easy Maintenance



**Flushing device (Option)**  
This flushing device drains residual water from the unit's piping. The flushing adapter can be stored inside the unit.



**Vacuum Filter**  
The vacuum filter to be cleaned every day is located behind the assistant-side holder where it is easy to access.



**Sterilization Cartridges (Option)**  
The porous hollow-fiber membranes in the cartridges capture bacteria and other contaminants to supply both clean air and clean water.

# Swing Arm

**Reduces wrist strain caused by the weight of instruments.**  
The chair is equipped with a Dual-Balanced Arm System that maintains balance, even when the swing arm is in a vertical position. This system reduces wrist strain and ensures smoother, more efficient procedures.



Auxiliary Tray (Small)



Auxiliary Tray (Large)

**Versatile Treatment Styles**  
The auxiliary tray is available in two sizes large and small with the tray arm offered in three different types, allowing for flexibility to suit various treatment styles.

# Equipment



**Ultrasonic Scalers**  
Solfy T (LED)  
Solfy F (LED)  
Newtron (LED)



**Vacuum Syringes**  
Rotary vacuum syringe  
Grip-switch type vacuum syringe  
Saliva ejector



**One-touch Connectors (water supply)**  
**One-touch Connectors (air supply)**



**Luna Vue TL EL mirror**



**Small Tray Paper Holder**



**Mouse Tray**



**Separately Mounted Piping Pit**



**Doctor-Side Armrest**  
**Assistant-Side Armrest**



**Side handle**

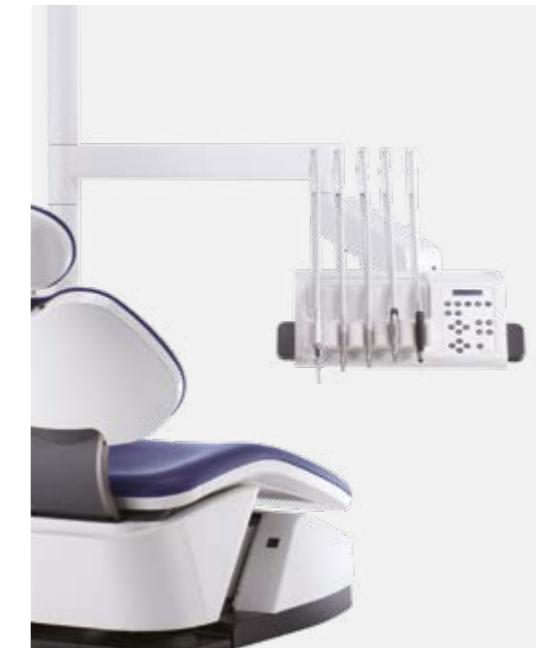


**Under handle**

# Tray Type



**Standard Model**



**Swing Model**

# Operating Stools



**Operating Stool T2**  
The backrest, which can double as an armrest, can be rotated freely while sitting, enabling the operator to maintain a stable posture.

**Operating Stool OS-EX-1**  
Work in a natural posture: The OS-EX-1 operator's stool automatically brings you into an ergonomic, upright sitting position.

# Colors

Singo T100, Operating Stool T2 are available in all upholstery colors which are shown.



Lamb (T-WH)



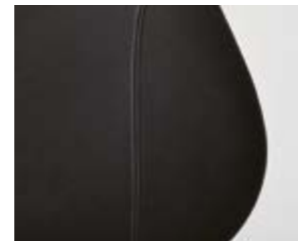
Clay (T-BE)



Deep Red (T-RE)



Soleil (T-OR)



**Luxury Seat**  
(A variety of colors are available.)



Caribou (T-BR)



Black (T-BK)



Opal White (POW9)\*



Citrine Gold (PGC9)\*



Onyx Black (POB9)\*



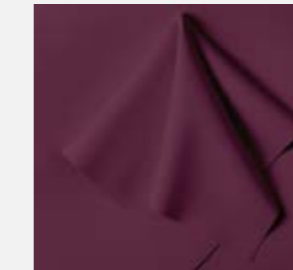
Periodot Green (PPG9)\*



Night Sky (T-BL)



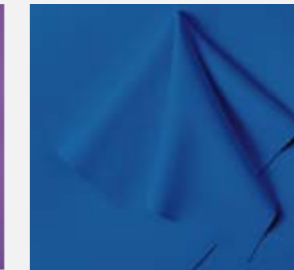
Aloe (T-GR)



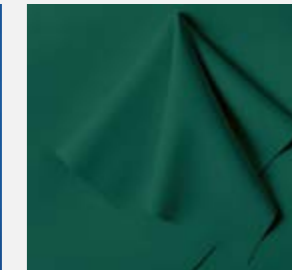
Garnet Red (PGR9)\*



Amethyst Purple (PAP9)\*



Tanzanite Blue (PTB9)\*

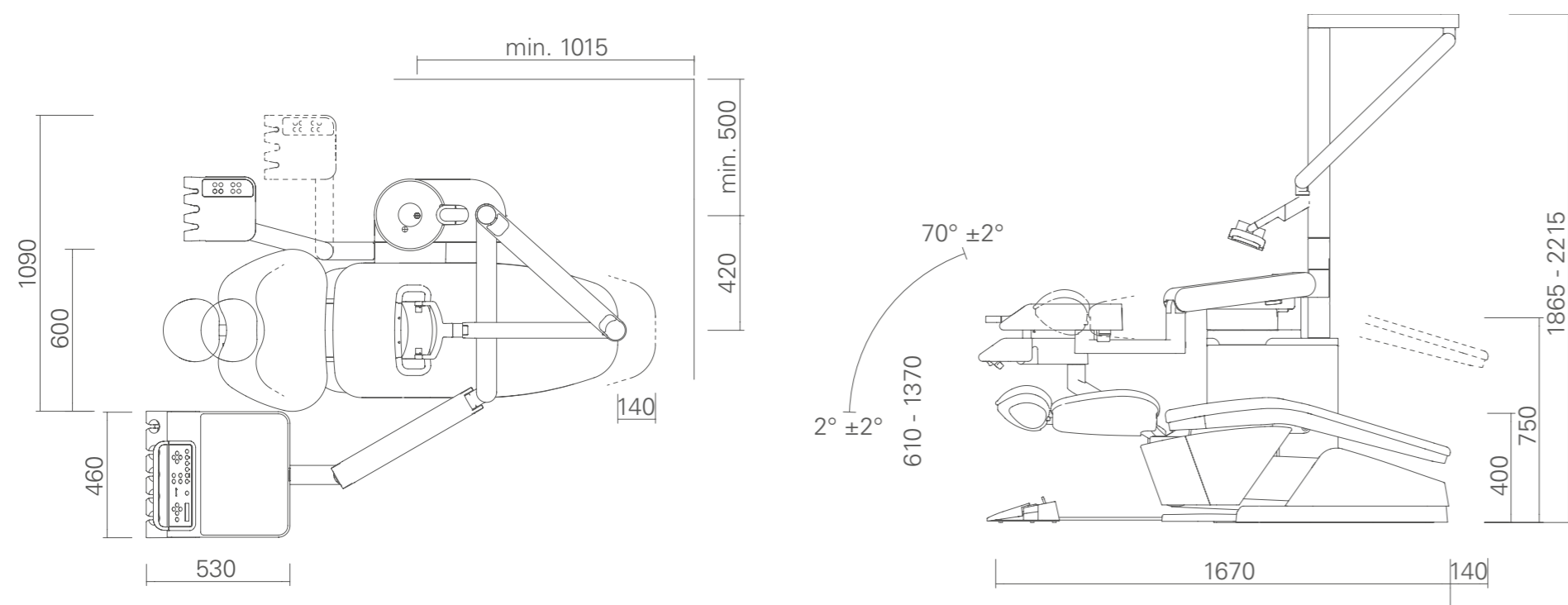


Tourmalin Green (PTG9)\*

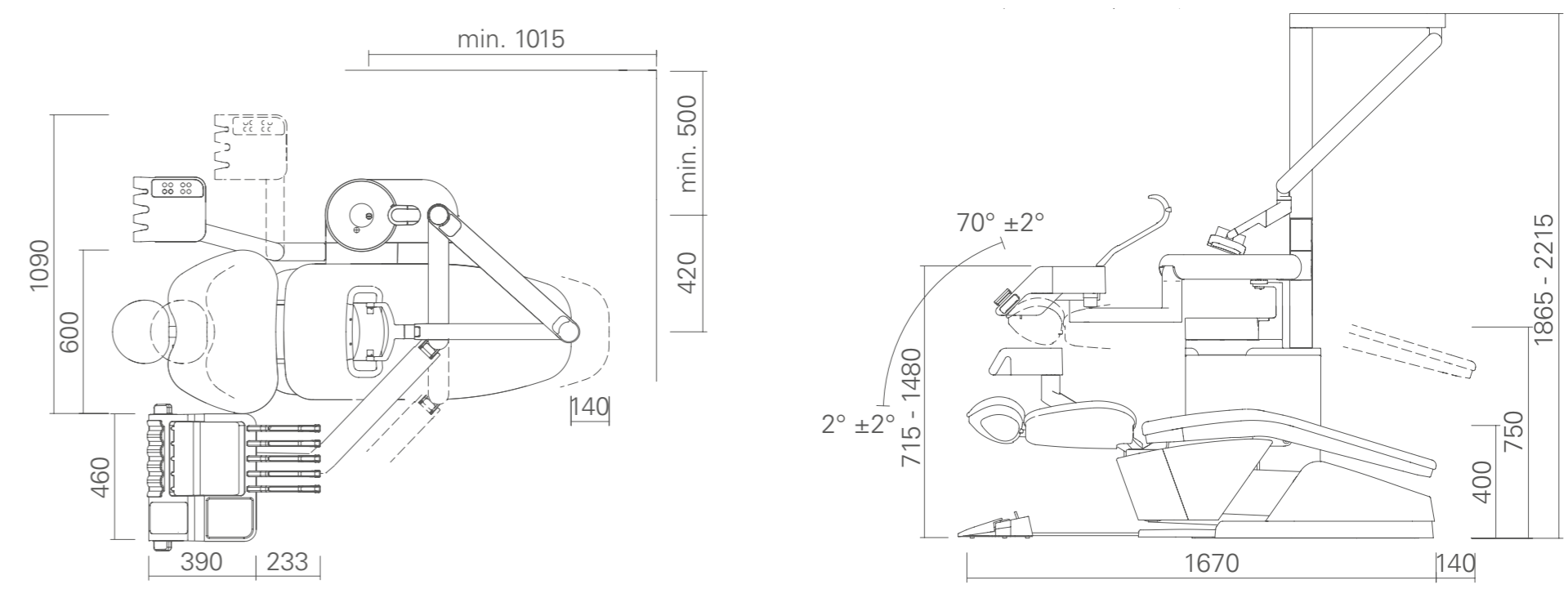
\*Operating Stool OS-EX-1 is only available in these colors.

# Specifications

## Contour Type, Over Arm



## Swing Type, Over Arm



# Specifications

Features / Options
Air turbine circuit (Midwest 4Hole tubing, without Coupling also no Twin Power turbine, with optic)
Variable speed control function for High speed handpiece
Clean air system
Micromotor circuit with TR-S3 (without handpieces STDH-CA-DC without fiber optic)
Mircomotor circuit with TR-S3-O
TorqTech ST-DH
TorqTech CA-DC
Ultrasonic Scaler Solfy U (SC-7000T2 with light/without light)
Ultrasonic Scaler Solfy U (SC-7000F with light/without light)
Ultrasonic Scaler Newtron (Newtron/Newtron LED)
2x Three-way syringe WS-201 no heater
WS10-O-LD (with LED light)
High power suction syringe VS110
Vacuum syringe (Ø16 Rotary type) VS110R
Vacuum syringe (Ø16 Hand switch type) VS112
Saliva ejector SE110
Central vacuum system (without vacuum tank and shut-off valve)
separate cacuum system (with separator tank and EV valve)
Piping separately placed type
Twin-axis headrest
Foot controller (FCA03)
Pedal guard
Cordless controller (FCA03)
Luna vue TS (LED 1 lamp type) (with Auto light ON/OFF specification) (Light arm 1-axis type)
Luna Vue TL (LED 12 lamp type) (with Auto light ON/OFF specification) (Light arm 1-axis type)

Features / Options
EL mirror
Touchless sensor for operationg lights
Light arm 2-axis type
Tact SV type panel
Mouse Tray
Liquid crystal display adapter mounted at dentist element
Liquid crystal display arm mounted at light pole
Tablet stand
Filter Cartridge (Wate-Air)
Armrest (assistant & dentist side)
Accessories table
Paper holder
Water flushing system
Luxury seats
Dentist's side fixed instrument holder (5 circuits incl.)
Auto position control 4 positions
Auto filler for paper cups
Water connector
Air connector
Operation Stool T2
Operating Stool OS-EX-1

Swing model exclusive option
Long Arm
Short Arm
Three-way syringe WS-90P (dentist element)
Side Handle
Under Handle
Straight Arm and Small Tray (with silicon sheet)
Straight Arm and Large Tray (with silicon sheet)
Narrow Down Arm and Small Tray (with silicon sheet)
Narrow Down Arm and Large Tray (with silicon sheet)
EX Down Arm and Small Tray (with silicon sheet)
EX Down Arm and Large Tray (with silicon sheet)
Silicon sheet for Dr. side (edged type)

## Signo T100

Name: Signo T100

Type: Chair mount : TUA20

Power Supply Voltage: 230 V 50/60 Hz

Power Consumption: 1.0 kVA

Chair Lift Mechanism: Pantograph type

Seat Height (from floor): Minimum 400 mm, maximum 750 mm

Seatback Angle (from horizontal): Maximum upright position 70°, reclined 2° (single-acting cylinder)

Mass: Approx. 250 kg

General Name: Dental unit

Generic Name: Signo T

Equipment Type: Controlled Medical Device (Class II) Medical Device

Requiring Specific Installation and Maintenance

Medical Device Approval No. : 229AKBZX00081000

Statutory Life (years of depreciation): 7 years







Development and Manufacturing

**J. MORITA TOKYO MFG. CORP.**

Komuro 7129, Ina-machi, Kitaadachi-gun, Saitama, 362-0806 Japan  
T +81. (0)48. 723 2621, F +81. (0)48. 723 2622  
Morita Global Website  
www.morita.com

Distribution

**J. MORITA CORP.**

3-33-18 Tarumi-cho, Suita-shi, Osaka 564-8650, Japan  
T +81. (0)6. 6380 1521, F +81. (0)6. 6380 0585

**J. MORITA EUROPE**

Justus-von-Liebig-Str. 27b, 63128 Dietzenbach, Germany  
T +49. (0)6074. 836 0, F +49. (0)6074. 836 299

**MORITA DENTAL ASIA PTE. LTD.**

150 Kampong Ampat #06-01A KA Centre, Singapore 368324  
T +65. 6779. 4795, F +65. 6777. 2279

**J. MORITA CORP. AUSTRALIA & NEW ZEALAND**

Suite 2.05, 247 Coward Street, Mascot NSW 2020, Australia  
T +61. (0)2. 9667 3555, F +61. (0)2. 9667 3577

**J. MORITA CORP. MIDDLE EAST**

4 Tag Al Roasaa, Apartment 902, Saba Pacha 21311 Alexandria, Egypt  
T +20. (0)3. 58 222 94, F +20. (0)3. 58 222 96

**J. MORITA CORP. INDIA**

Filix Office No.908, L.B.S. Marg, Opp. Asian Paints, Bhandup (West), Mumbai 400078, India  
T +91-22-2595-3482

**SIAMDENT CO., LTD.**

71/10 Moo.5 T.Thakham A. Bangpakong, Chachuengsao 24130 Thailand  
T +66. 38. 573042, F +66. 38. 573043  
www.siamdent.com

Be sure to read the package insert and operation instructions before using the product.  
Please note that specifications and appearance may change without prior notice for product improvement purposes.  
The company name and product names mentioned in this catalog are trademarks or registered trademarks of J. Morita Corp. and J. Morita Tokyo Mfg. Corp. As the color of the product is printed, it may differ from the actual color.  
Some catalog pictures include options.

Diagnostic and Imaging Equipment

Treatment Units

Handpieces and Instruments

Endodontic Systems

Laser Equipment

Laboratory Devices

Educational and Training Systems

Auxiliaries