

Root ZX mini





21.09.2021 12:00 Dr. Soaric

Icons: Chair position, Clock, Hand, Person, Sun, PC, >, Home, Back, L

Home Back L

1 2 3 4 5

R S

Compact and Accurate

The trusted name in apex location for over 30 years

The Root ZX mini shares the same proven technology that has been relied on by endodontic enthusiasts for over 30 years. This technology has been independently evaluated at a 97.5% accuracy rate.*



Accurate

Utilizing a unique and proven Morita ratio technique, the Root ZX mini provides a highly accurate indication of the file's location. The accuracy of the apex location is not affected by the presence or absence of fluids in the canal.

Simple

No calibration or zero adjustment needed. Automatically adjusts to changes in temperature, moisture, etc. inside the canal, even during treatment.

High Contrast

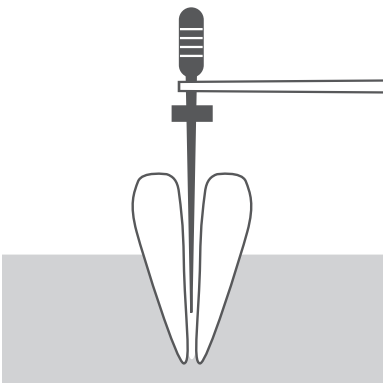
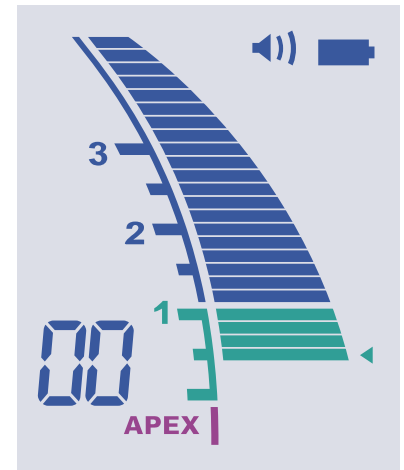
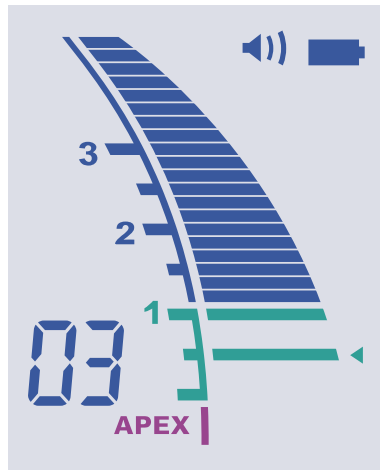
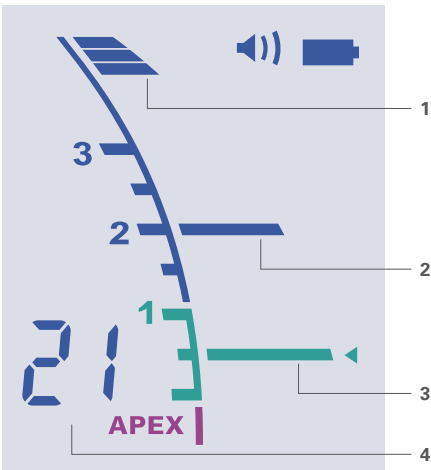
Despite the unit's compact size, the LCD screen remains easy to read. It provides a clear, progressive display with high contrast.

Compact

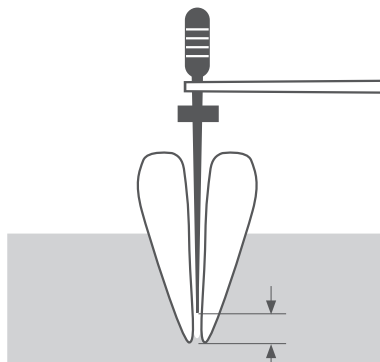
Whether placed on a tray, a table, or elsewhere, the Root ZX mini's compact size allows for easy and convenient usage.

*Independent study. Data on file.

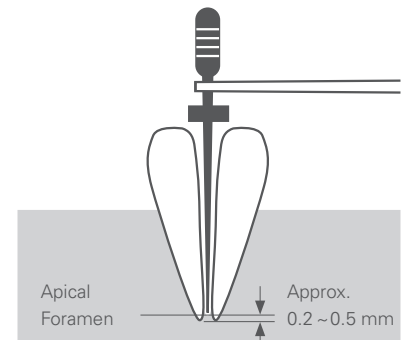
Simple and Effortless



The meter is activated when the file is inserted into a root canal. The number of bars remaining before reaching the preset is shown in the information display.



When the file tip reaches a position near the apex, the bar color changes to green indicating a critical area.



When the file tip reaches the preset position, the flash bar stops blinking and stays on.

Further advancement, the "APEX" and "◀" indicators will start to blink.

1 - File position indicator bar

2 - Memory bar

Easily mark the beginning of a sharp curve or some certain distance from the apex. Can be used as a guide in order to maintain a consistent working length.

3 - Flash bar

The reference point for determining the canal or enlargement. Set anywhere between 2 and APEX.

4 - Information display

Number of bars left before flash bar is reached during apex location. Otherwise, indicates memory number for flash bar.

0.5 Meter reading

The meter's 0.5 reading indicates that the file tip is located very near the physiological apical foramen. Use this to determine the working length depending on the individual case. The exact working length depends on the shape and condition of the canal, and a clinical judgement must be made by the dentist.



Learn more at
www.morita.com/usa

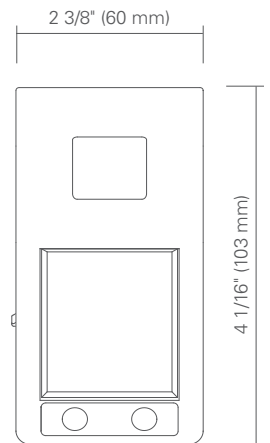
Accessories



Specifications

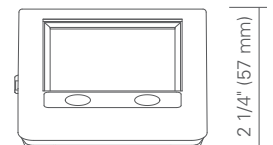
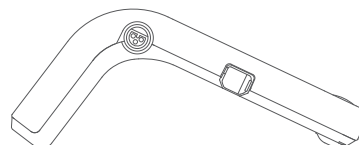
Name: Root ZX mini
 Model: RCM-7
 Rating: DC 4.5 V
 Power Consumption: 0.2 W
 Weight: Approx. 3.9 ounces (110 g)
 Battery: 1.5 VDC AAA x 3 (included)

Unit: inches (mm)



Ordering Info

Apex Locator	Part Number
Root ZX mini Apex Locator	24-5357934
Accessories/Replacement Parts	Part Number
Probe Cord (not compatible with Root ZX II)	24-8449716
File Holders (3)	24-4001981
Contrary Electrodes / Lip Clips (5)	24-107043
Long File Holder	24-8447047
Function Tester	24-8449430





Development and Manufacturing
J. MORITA MFG. CORP.
680 Higashihama Minami-cho, Fushimi-ku,
Kyoto 612-8533, Japan
T +81. (0)75. 611 2141, F +81. (0)75. 622 4595

Morita Global Website
www.morita.com

Distribution
J. MORITA CORP.
3-33-18 Tarumi-cho, Suita-shi, Osaka 564-8650, Japan
T +81. (0)6. 6380 1521, F +81. (0)6. 6380 0585

J. MORITA USA, INC.
9 Mason, Irvine CA 92618, USA
T +1. 949. 581 9600, F +1. 949. 581 8811

J. MORITA EUROPE GMBH
Justus-von-Liebig-Strasse 27b, 63128 Dietzenbach, Germany
T +49. (0)6074. 836 0, F +49. (0)6074. 836 299

MORITA DENTAL ASIA PTE. LTD.
150 Kampong Ampat
#06-01A KA Centre, Singapore 368324
T +65. 6779. 4795, F +65. 6777. 2279

J. MORITA CORP. AUSTRALIA & NEW ZEALAND
Suite 2.05, 247 Coward Street, Mascot NSW 2020, Australia
T +61. (0)2. 9667 3555, F +61. (0)2. 9667 3577

J. MORITA CORP. MIDDLE EAST
4 Tag Al Roasaa, Apartment 902, Saba Pacha 21311 Alexandria, Egypt
T +20. (0)3. 58 222 94, F +20. (0)3. 58 222 96

J. MORITA CORP. INDIA
Filix Office No.908, L.B.S. Marg, Opp. Asian Paints, Bhandup (West), Mumbai 400078, India

J. MORITA MFG. CORP. INDONESIA
28F, DBS Bank Tower, Jl. Prof. Dr. Satrio Kav. 3-5, Jakarta 12940, Indonesia
T +62-21-2988-8332, F + 62-21-2988-8201

SIAMDENT CO., LTD.
71/10 Mu 5, Thakham, Bangpakong, Chachuengsao 24130, Thailand
T +66. 38. 573042, F +66. 38. 573043
www.siamdent.com

Subject to technical changes and errors.

Pub. No. ES616-B108-EN-3
L1638-0123

Diagnostic and Imaging Equipment

Treatment Units

Handpieces and Instruments

Endodontic Systems

Laser Equipment

Laboratory Devices

Educational and Training Systems

Auxiliaries