

Microsurgical Blades

Advanced instrument system of interchangeable blades and handles

- Ultra-sharp, retain cutting efficiency
- Ideal for microsurgery & use with a microscope
- Optimal shapes & blade thickness
- Small tips for surgical precision
- Variety of applications including periodontal & regenerative surgery
- Multiple handle designs



Feather Microsurgical Blades

Ideal instrument system of interchangeable blades and handles for flexible and efficient work.

Quality and Performance

Feather Microsurgical Blades are made of high-quality stainless steel using high-precision grinding technology which produces ultra-sharp cutting edges. These blades allow a very fine incision and minimize the risk of tissue injury.

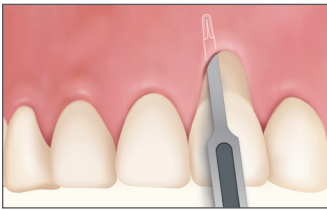
Safe and Easy Handling

All blades are gamma-sterilized and can be used immediately after opening the package. The round/tapered shape is specifically designed for dental surgery and offers easy handling with a reliable and aesthetic outcome.

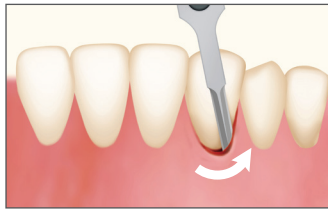
Ergonomics and Balance

The handles are available in different shapes and sizes in order to meet procedural requirements and clinician preference. All handles have an ideal weight to ensure a secure grip and safe handling of the instrument.

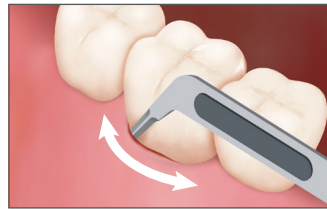
Applications in Dental Surgery



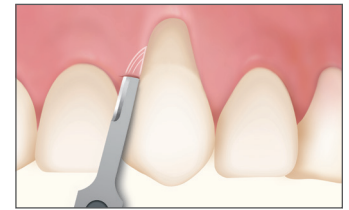
Blade No. 391



Blade No. 390



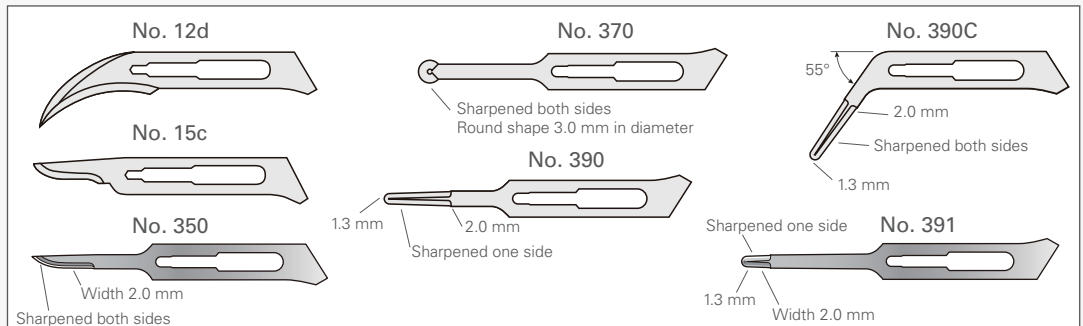
Blade No. 390C



Blade No. 350

Feather Blades are appropriate for a wide variety of procedures such as sulcus incision on thin gingiva, creating flaps, molar surgery, papillary incisions, and much more.

Blade Selection



Compatible Handles



Ordering Information

Microsurgical Blades

No. 391	10/Pack27-07972007
No. 390C	10/Pack27-07971007
No. 390	10/Pack27-07970007
No. 370	10/Pack27-07960007
No. 350	10/Pack27-07973007

Surgical Blades

No. 12d	100/Pack27-05020007
No. 15c	100/Pack27-05350007

Handles

No. 3	Ea.27-08800051
No. 7	Ea.27-08800053
DF-160S-3	Ea.27-08800042

Accessories

Blade Removal Pliers No. 3	Ea.27-08590002
Blade Remover S (Sterilized)	Ea.27-08581026